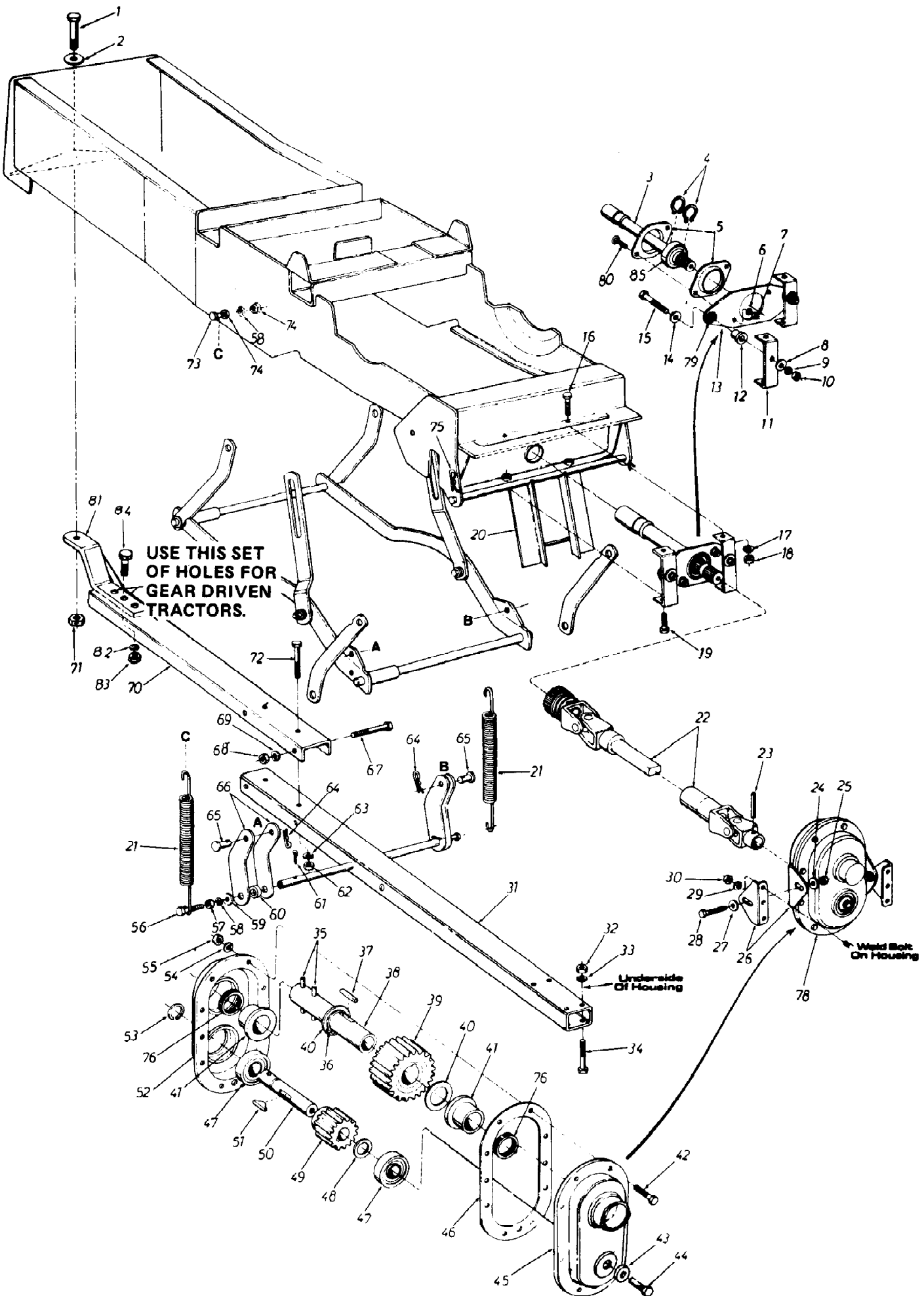


190-955-190 45" Snow Thrower (1987)
Drive Assembly



190-955-190 45" Snow Thrower (1987)
Drive Assembly

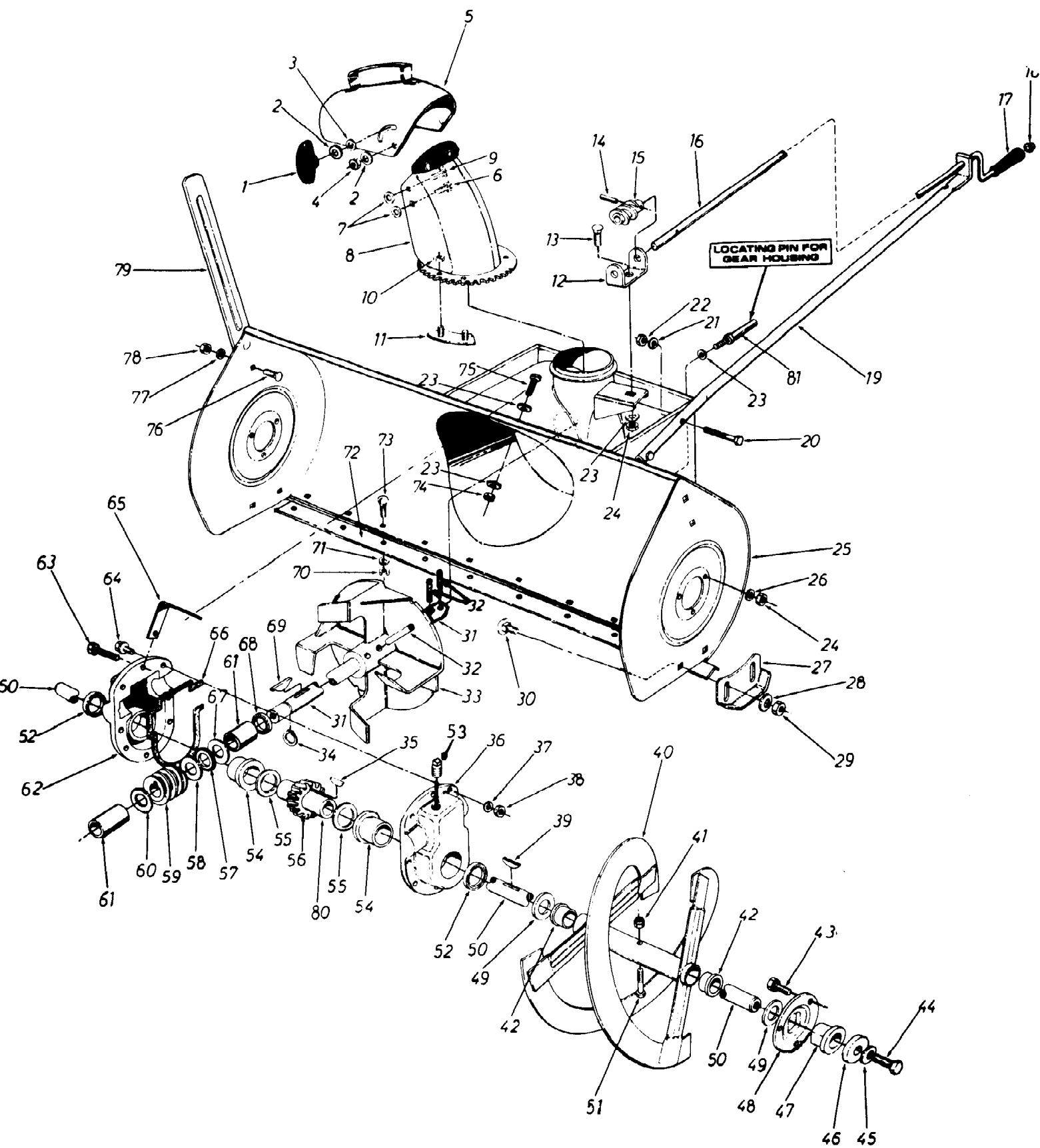
Page 2 of 6

Ref #	Part Number	Qty	S/P/F	Description
1	710-0312	1		Hex Scr. 5/8-18 x 1.31"Lg.
2	736-0237	1	/P	Fl.-Wash. .66" I.D. x 1.25" O.D. x .100
3	13180	1		P.T.O. Shaft Extension Ass'y.
4	716-0102	1	S	Retaining Ring 1.00" Dia. Shaft
5	741-0242	1	/P	Flangette Bearing
6	736-0119	1	S	L.-Wash-5/16" Scr.*
7	712-0267	1	S	Hex Nut 5/16-18 Thd.*
8	736-0258	1	/P	Fl.-Wash. 3/8" I.D. x 1.00" O.D.
9	736-0169	1	S	L.-Wash 3/8" Scr.
10	712-0241	1	/P	Hex Nut 3/8-24 Thd.*
11	13197	1		P.T.O. Bearing Retainer Brkt.
12	748-0241	1		Shoulder Spacer
13	13161	1		P.T.O. Bearing Retainer Plate
14	736-0258	1	/P	Fl.-Wash. 3/8" I.D. x 1.00 O.D.
15	710-0459	1	S	Hex Scr. 3/8-24 x 1.50"-Lg.*
16	710-0216	1	/P	Hex Scr. 3/8-16 x .75"-Lg.*
17	736-0169	1	S	L.-Wash. 3/8" Scr.*
18	712-0798	1	/P	Hex Nut 3/8-16 Thd.*
19	710-0216	1	/P	Hex Scr. 3/8-16 x .75" Lg.
20	05613	1	S	Guide Bracket Ass'y.
21	732-0291	1		Helper Spring .94 O.D. x 7.38" Lg.
22	717-0366	1		Universal Drive Shaft Ass'y.
23	715-0113	1		Spring Pin Spirol 5/16" x 2.50" Lg.
24	736-0242	1	/P	Belleville Wash. .341 I.D. x .88 O.D.
25	712-0267	1	S	Hex Nut 5/16-18 Thd.*
26	05607	1		Gear Box Support Bracket
27	736-0242	1	/P	Belleville Wash. .34 I.D. x .88 O.D.
28	710-0118	1	S	Hex Scr. 5/16-18 x .75" Lg.*
29	736-0119	1	S	L.-Wash. 5/16" Scr.*
30	712-0267	1	S	Hex Nut 5/16-18 Thd.
31	05612	1		Lift Shaft Ass'y.
32	712-0116	1	S	Hex Ins. Jam L.-Nut 3/8-24 Thd.
33	736-0169	1	S	L.-Wash. 3/8" Scr.
34	710-0629	1		Hex Scr. 3/8-24 x 2.75"Lg.
35	715-0118	1	S	Spring Pin Spirol 5/16" Dia. 1.75" Lg.
36	716-0116	1	/P	Snap Ring for 1.25" Dia. Shaft
37	714-0128	1	/P	Sq. Key 1/4" x 1.00" Lg.
38	738-0362	1		Gear Shaft
39	717-0362	1	S	28 Teeth Spur Gear
40	736-0246	1	/P	Fl.-Wash. 1.31" I.D x 2.00" O.D. x .060
41	748-0194	1	/P	Flange Bearing 1.25" I.D. x 1.75" O.D.
42	710-0281	1	/P	Hex Screw 1/4-28 x 88 "Lg.
43	736-0247	1	/P	Fl. Wash. .40" I.D. x 1.25" O.D. x .160
44	710-0591	1	/P	Hex L.-Scr. 3/8-24 x 1.00"Lg.
45	717-0359	1		Complete Gear Housing Half-L. H.
46	721-0158	1		Gasket
47	741-0131	1	S	Ball Bearing 1.00" I.D. x 2.00" O.D.
48	736-0259	1	S	Fl.-Wash. 1.03" I.D. x 1.63" O.D. x .090
49	717-0361	1		15 Teeth Spur Gear
50	738-0361	1		Input Shaft
51	714-0135	1	S	Woodruff Key 1/4 x 3/4" Dia.
52	717-0360	1		Complete Gear Housing Half-R. H.
53	716-0129	1		1.00" Dia. Shaft

190-955-190 45" Snow Thrower (1987)
Drive Assembly

Page 3 of 6

Ref #	Part Number	Qty	S/P/F	Description
54	736-0175	1	S	L.-Wash. 1/4"Scr.*
55	712-0138	1	S	Hex Nut 1/4-28 Thd.
56	710-0380	1	S	Hex Scr, 5/16-18 x 1.75" Lg.*
57	712-0267	1	S	Hex Nut 5/16-18 Thd.*
58	736-0119	1	S	L.-Wash. 5/16" Scr.*
59	736-0231	1	S	Fl.-Wash. .344 I.D. x 1.12 0 O.D. x .125
60	750-0142	1	S	Spacer .81" I.D. x 1.00" O.D. x .31
61	714-0121	1	S	Cotter Pin 5/32" Dia. x 1.00" Lg.*
62	712-0116	1	S	Hex Ins. Jam L.-Nut 3/8-24 Thd.
63	736-0169	1	S	L.-Wash. 3/8" Scr.*
64	714-0101	1	S	Intern. Cotter Pin 1/2"Dia.
65	711-0310	1	S	Clevis Pin .500" Dia.
66	05599	1		Lift Bracket
67	710-0620	1	/P	Hex Scr. 3/8-24 x 4.50" Lg.*
68	712-0116	1	S	Hex Ins. Jam L.-Nut 3/8-24 Thd.
69	736-0169	1	S	L.-Wash. 3/8" Scr.*
70	05611	1	S	Lift Bracket
71	712-0221	1		Hex Ins. Jam L.-Nut 5/8-18 0 Thd.
72	710-0629	1		Hex Scr. 3/8-24 x 2.75"Lg.*
73	710-0380	1	S	Hex Scr. 5/16-18 x 1.75" Lg. *
74	712-0267	1	S	Hex Nut 5/16-18 Thd.*
75	714-0117	1	/P	Intern. Cotter Pin 3/4"Dia.
76	721-0117	1	S	Oil Seal 1.25" I.D. x 1.75" O.D. x .26
78	717-0370	1		Gear Box Ass'y. Comp.
79	735-0112	1		Rubber Grommet .50" I.D.
80	710-0451	1	/P	Carriage Bolt 5/16-18 x .75 Lg.*
81	05646	1	S/F	Hitch Hanging Bar
82	736-0421	1		Lock Washer 1/2" Scr.
83	712-0206	1	S	Hex Nut 1/2-13 Thd.
84	710-0474	1	/P	Hex Scr. 1/2-11 3-1/4 Lg.
85	741-0303	1	/P	Ball Bearing



190-955-190 45" Snow Thrower (1987)
Thrower Assembly

Page 5 of 6

Ref #	Part Number	Qty	S/P/F	Description
1	09966	1	S	Hand Knob Ass'y.
2	736-0242	1	/P	Bell. Wash. .345 I.D. x .88 O.D. x .060
3	736-0231	1	S	Fl.-Wash. .312 I.D. x 1.125 O.D. x .125
4	712-0158	1	S	Hex Cent. L-Nut 5/16-18 Thd.
5	05225	1		Top Chute Ass'y .
6	710-0262	1	/P	Carriage Bolt 5/16-18 x 1.50" Lg.
7	736-0179	1	S	Fl.-Wash. .53 I.D. x 1.25 O.D. x .100
8	05738	1		Chute Ass'y.
9	710-0276	1	/P	Carriage Bolt 5/16-18 x 1.00" Lg.
10	712-0107	1	S	Hex Cent. L-Nut 1/4-20 Thd.
11	05031	1		Chute Flange Keeper Ass'y.
12	05515	1		Chute Bracket
13	710-0260	1	S	Carriage Bolt 5/16-18 x .62" Lg.
14	715-0103	1		Spring Pin Roll 1/8" Dia. x .75" Lg.
15	717-0301	1		Worm-R.H. w hree Threads
16	747-0243	1		Chute Crank
17	720-0171	1	S	Knob Black 3/8" Dia. Hole
18	726-0100	1	S	Push Nut 3/8" rod.
19	749-0230	1		Chute Crank Support Tubins
20	710-0191	1	/P	Hex Scr. 3/8-24 x 1.25" Lg.
21	736-0169	1	S	L.-Wash. 3/8" Scr.*
22	712-0116	1	S	Hex Ins. Jam L.-Nut 3/8- 0 24 Thd.
23	736-0242	1	/P	Bell.-Wash. .345 I.D. x .88 O.D. x .060
24	712-0267	1	S	Hex Nut 5/16-18 Thd.
25	05600	1		Blower Housing Assembly
26	736-0119	1	S	L-Wash. 5/16" Scr.
27	05571	1	S	Slide Shoe
28	736-0105	1	/P	Bell. Wash. .400 I.D. x .88 O.D. x .060
29	712-0798	1	/P	Hex Nut 3/8-16 Thd.
30	710-0389	1	/P	Carriage Bolt 3/8-16 x .75" Lg.
31	738-0360	1		Blower Axle
32	715-0118	1	S	Spring Pin Spiral 5/16" Dia. x 1.75" Lg.
33	05469	1		Blower Fan Ass'y.
34	716-0111	1	/P	Snap Ring for .875" Dia. shaft
35	714-0135	1	S	#91 Woodruff Key 1/4" x 3/4" Dia.
36	717-0297	1	S	Gear Housing Half-L.H.
37	736-0119	1	S	L.-Wash. 5/16" Scr.*
38	712-0429	1	S	Hex Ins. L.-Nut 5/16-18 Thd.
39	714-0135	1	S	#91 Woodruff Key 1/4" x 3/4" Dia.
40	05609	1	S	Spiral Ass'y.-L.H.
	05608	1	S	Spiral Ass'y.-R.H. (Not Shown)
41	712-0429	1	S	Hex Ins. L-Nut 5/16-18 Thd
42	05136	1		Plastic Bushing
43	710-0198	1	S	Hex Sems Scr. 5/16-18 x .75" Lg.
44	710-0371	1	/P	Hex Scr. 5/16-18 x .88" Lg. Speco
45	736-0242	1	/P	Belleville Wash. .345" I.D. x .88" O.D.
46	07386	1		Wash. .390 I.D. x 1.75" O.D. x 3/16" Thk.
47	741-0192	1		Flange Bearing w/flats 1.00" I.D.
48	05361	1		Bearing Housing
49	736-0250	1	/P	FI-Wash. 1.00" I.D. x 1.75" O.D. x .100
50	738-0359	1		Spiral Axle
51	710-0380	1	S	Hex Scr. 5/16-18 x 1.75" Lg.
52	721-0146	1		Hex Scr. 5/16-18 x 1.75" Lg.

190-955-190 45" Snow Thrower (1987)
Thrower Assembly

Page 6 of 6

Ref #	Part Number	Qty	S/P/F	Description
53	737-0103	1	S	Sq. Hd. Pipe Plug 3/8" Thd.
54	741-0182	1		Flange Bearing 1.503 I.D.
55	736-0266	1	S	Fl.-Wash. 1.50" I.D. x 2.0" O.D. x .030
56	717-0300	1	S	Double Threaded Worm Gear-L. H.
57	741-0184	1		Thrust Bearing .88" I.D. x 1.44" O.D.
58	736-0265	1	/P	Fl.-Wash. .88" I.D. x 1.5" O.D. x .030
59	717-0299	1	S	Double Threaded Worm-L.H
60	736-0291	1	S	Fl.-Wash. .88 I.D. x 1.4" O.D. x .155
61	741-0217	1	S	Sleeve
62	717-0298	1	S	Gear Housing Half-R.H.
63	710-0528	1	/P	Hex Scr. 5/16-18 x 1.25" Lg. *
64	710-0376	1	/P	Hex Scr. 5/16-18 x 1.00" Lg.*
65	05572	1	S	Gear Housing Support Brkt.
66	721-0144	1	S	Rubber Gasket
67	736-0291	1	S	Fl.-Wash. .88" I.D. x 1.4" O.D. x .155
68	721-0145	1	S	Oil Seal. .875" I.D.
69	714-0126	1	S	#9 Hi-Pro Key 3/16" x 3/4" Dia.
70	712-0267	1	S	Hex Nut 5/16-18 Thd.
71	736-0119	1	S	L.-Wash. 5/16" Scr.
72	05598	1	S	Shave Plate
73	710-0451	1	/P	Carriage Bolt 5/16-18 x .75" Lg.*
74	712-0267	1	S	Hex Nut 5/16-18 Thd.*
75	710-0118	1	S	Hex Scr. 5/16-18 x .75" Lg.
76	710-0260	1	S	Carriage Bolt 5/16-18 x .62" Lg.*
77	736-0119	1	S	L.-Wash. 5/16" Scr.*
78	712-0267	1	S	Hex Nut 5/16-18 Thd.*
79	05139	1	S	Guide Blade
80	738-0275	1		Worm Gear Shaft
81	711-0640	1	S	Stud 3/8-16 x 2.75" Lg.